

1. Draw a cube.
2. Draw a pyramid.
3. Draw a triangular prism.

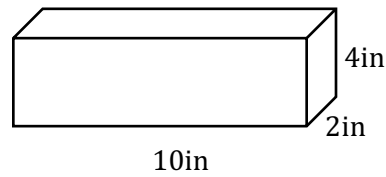
Fill in the formula for each:

Area of a triangle: _____ Volume of a prism: _____ Volume of a pyramid: _____

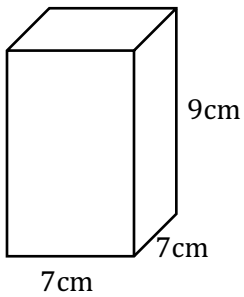
Calculate the volume. Don't forget to include the units!

4. What is the difference between the volume of a prism and a pyramid that have the same base and height?

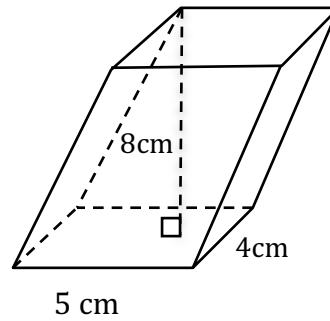
5.



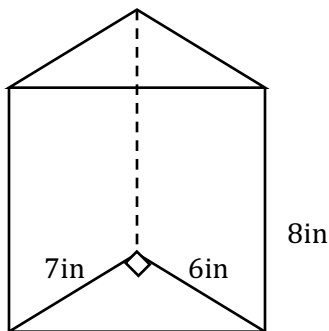
6.



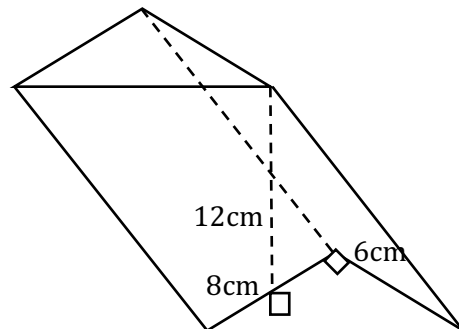
7.



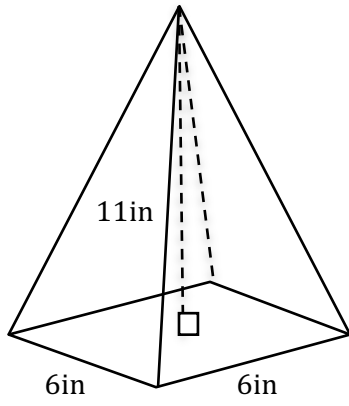
8.



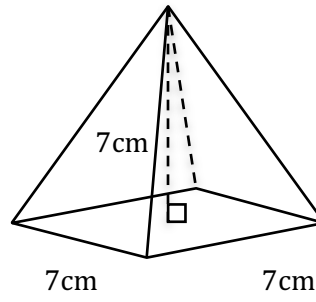
9.



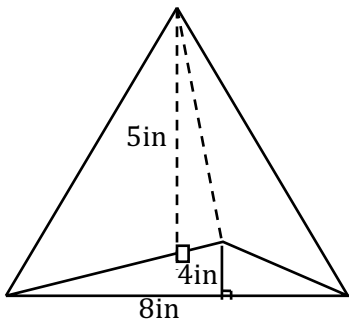
10.



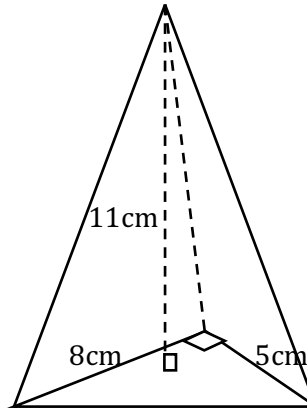
11.



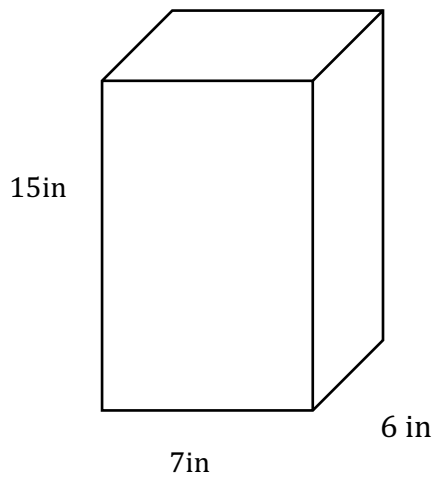
12.



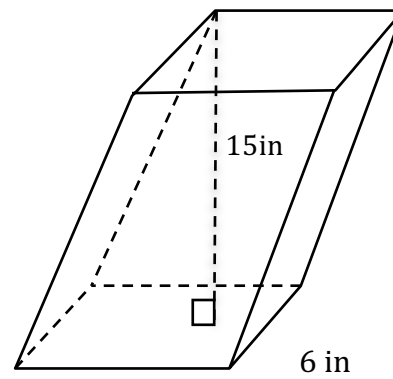
13.



14. Which has more volume? Why?



7in



6 in

Selected Answers:

5. 80 in^3

7. 160 cm^3

9. 288 cm^3

11. $\frac{343}{3} \text{ cm}^3$

13. $\frac{220}{3} \text{ cm}^3$